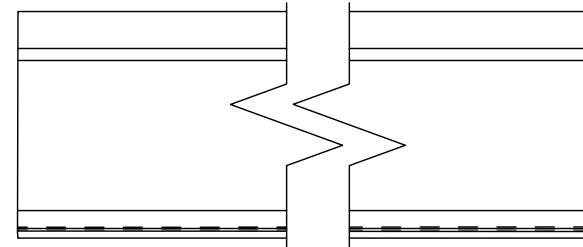
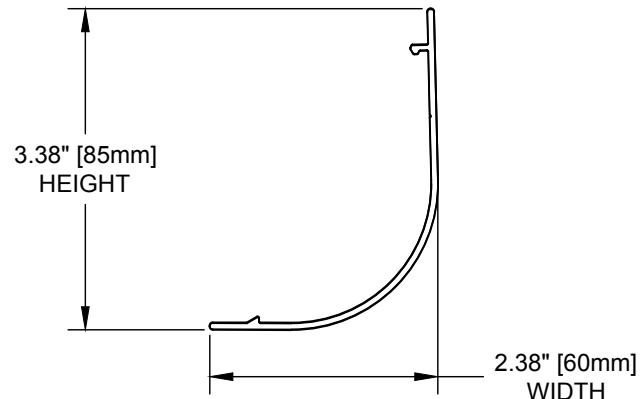


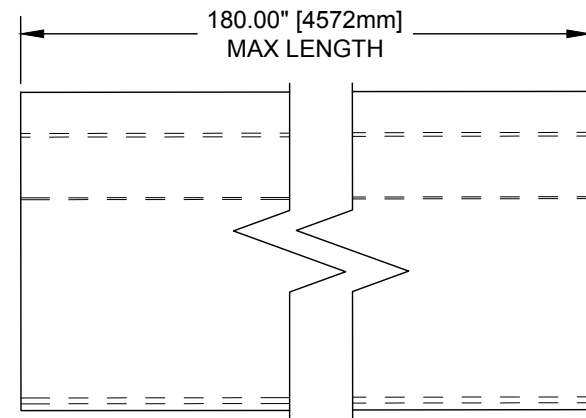
ISOMETRIC VIEW



PLAN VIEW



SECTION VIEW



ELEVATION VIEW

NOTE:

1. AVAILABLE IN BLACK, BRONZE, SILVER AND WHITE

**3.5" ROUND FASCIA**

SCALE: 1/2

DRAWING #: 085615

REVISION: A